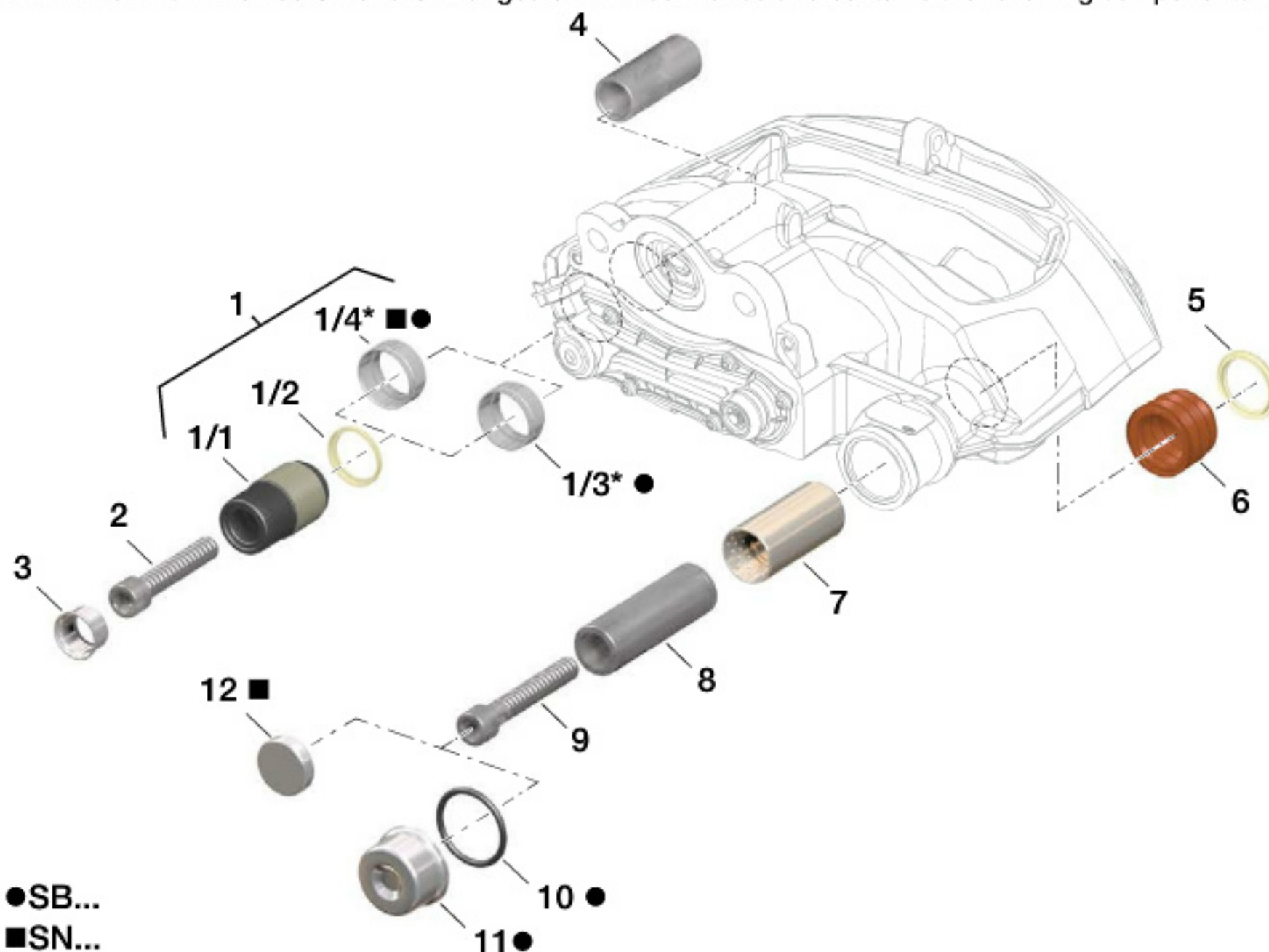


New Guide and Seal Kit

To further enhance its service solutions for Air Disc Brakes, Knorr-Bremse introduces the rationalized guide and seal kit **K067417K50**.

What's new?

With the inclusion of the rolling type of rubber bush, the kit can now be used to service several applications within the Knorr-Bremse SB and SN ranges of Air Disc Brakes and contains the following components:



* Use the corresponding Ring to fit the diameter of the caliper bore (see assembly instructions for details)

Pos.	Description.	Qty.			
1	Rolling Rubber Bush	1	5	Ring	1
1/1	- Rubber Bush	1	6	Inner Boot	1
1/2	- Wiper Ring	1	7	Brass Bush	1
1/3	- Ring Ø 35 mm	1	8	Guide Pin	1
1/4	- Ring Ø 39 mm	1	9	Caliper Bolt - with pre-applied adhesive	1
2	Caliper Bolt	1	10	O-Ring	1
3	Cap	1	11	Cap	1
4	Guide Pin	1	12	Cap	1

The information contained herein is subject to alteration without notice and therefore may not be the latest release. Please check our website www.knorr-bremseCVS.com for the latest update or contact your local Knorr-Bremse representative. The figurative mark "K" and the trademarks KNORR and KNORR-BREMSE are registered in the name of Knorr-Bremse AG. Additional terms and conditions apply; please refer to our website www.knorr-bremseCVS.com for full Disclaimer. Note: If service work is carried out on a vehicle based on information provided herein, it is the responsibility of the workshop to ensure the vehicle is fully tested and in full functional order before the vehicle is returned into service. Knorr-Bremse accepts no liability for problems caused as a result of appropriate tests not being carried out.

Copyright © Knorr-Bremse AG - all rights reserved, including industrial property rights applications. Knorr-Bremse AG retains any power of disposal, such as for copying and transferring. Knorr-Bremse Systeme für Nutzfahrzeuge GmbH · Georg-Knorr-Strasse 4 · 12881 Berlin · Germany · Tel: +49 1802 237 637 · Fax: +49 30 9392-3426 · www.knorr-bremse.com · www.knorr-bremseCVS.com

The following part numbers will be replaced as from **15.01.2014**:

New Part Number	Replaces Part Number
K067417K50	II39769F0062
	K000472
	K048371K50
	K048396K50
	K052758K50
	K052759K50

Your benefits:

- Reduction of variants (coverage of several applications with one kit)
- Lower costs of storage
- Higher availability due to a higher market coverage by one part number
- Latest technology: rolling type of rubber bush
- Can be used to upgrade from the older technology bush used on SB Air Disc Brakes

Further information:

Please note this changeover only applies to kits date stamped 10.09.2013 or later. Kits that are date-stamped before this date are only usable for SB Air Disc Brakes.



This change has no influence on the actual assembly process or the service tool requirements. Please refer to the relevant Knorr-Bremse service manual for detailed information as well as the instructions of the vehicle manufacturer. You will find the Knorr-Bremse Service Manuals on our website www.knorr-bremseCVS.com under the "Download Documentation" link.

**The guide and seal kit K067417K50 is updated from 15.01.2014.
Stocks of the older revision can still be sold and used for the SB type.**

The information contained herein is subject to alteration without notice and therefore may not be the latest release. Please check our website www.knorr-bremseCVS.com for the latest update or contact your local Knorr-Bremse representative. The figurative mark "K" and the trademarks KNORR and KNORR-BREMSE are registered in the name of Knorr-Bremse AG. Additional terms and conditions apply; please refer to our website www.knorr-bremseCVS.com for full Disclaimer.
Note: If service work is carried out on a vehicle based on information provided herein, it is the responsibility of the workshop to ensure the vehicle is fully tested and in full functional order before the vehicle is returned into service. Knorr-Bremse accepts no liability for problems caused as a result of appropriate tests not being carried out.

Copyright © Knorr-Bremse AG - all rights reserved, including industrial property rights applications. Knorr-Bremse AG retains any power of disposal, such as for copying and transferring.
Knorr-Bremse Systeme für Nutzfahrzeuge GmbH · Georg-Knorr-Strasse 4 · 12881 Berlin · Germany · Tel: +49 1802 237 637 · Fax: +49 30 9392-3426 · www.knorr-bremse.com · www.knorr-bremseCVS.com